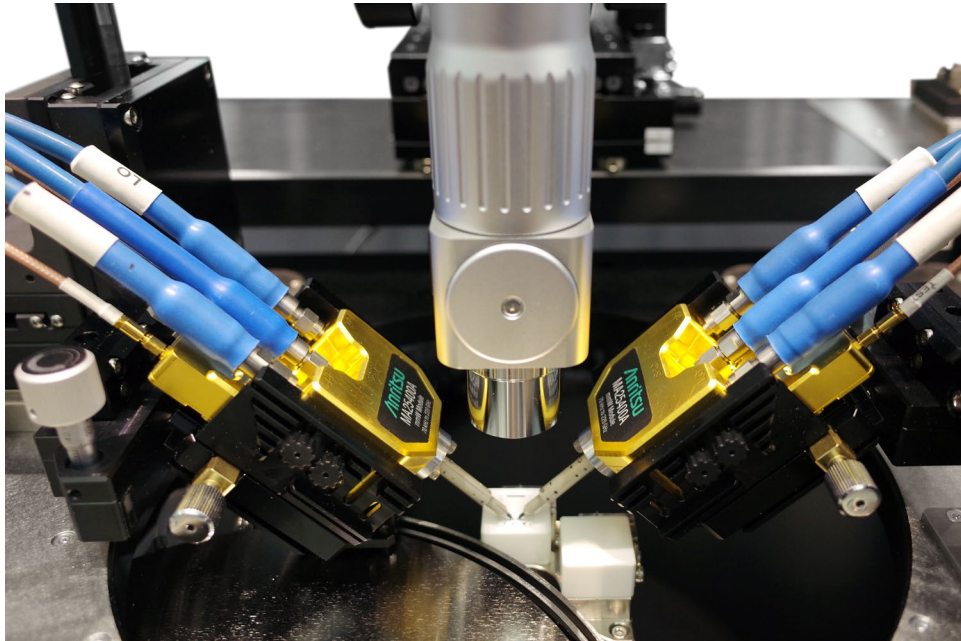


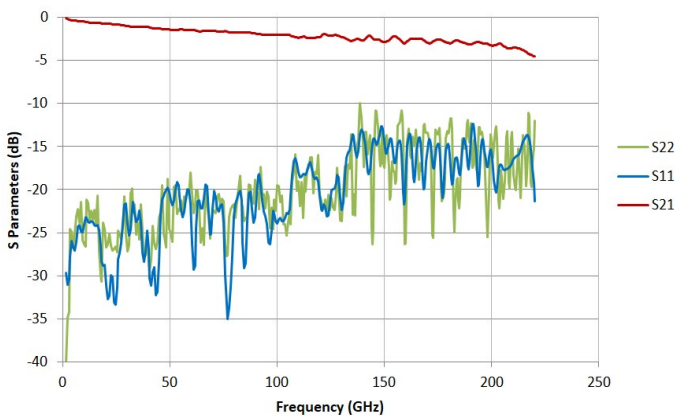
# TITAN™ Probe DC to 220 GHz



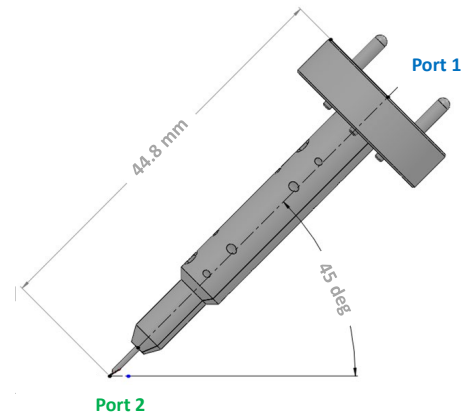
## CHARACTERISTICS

Tip material	Ni alloy
Ground and signal alignment error	< +/- 3 μm
Contact footprint width	15 μm
Contact resistance on Au	< 6 mΩ
Contact resistance on Al	< 60 mΩ
Thermal range	-55 °C ... +150 °C
Pitch range	50 μm, 75 μm and 100 μm
Tip configuration	GSG
Frequency range	DC to 220 GHz

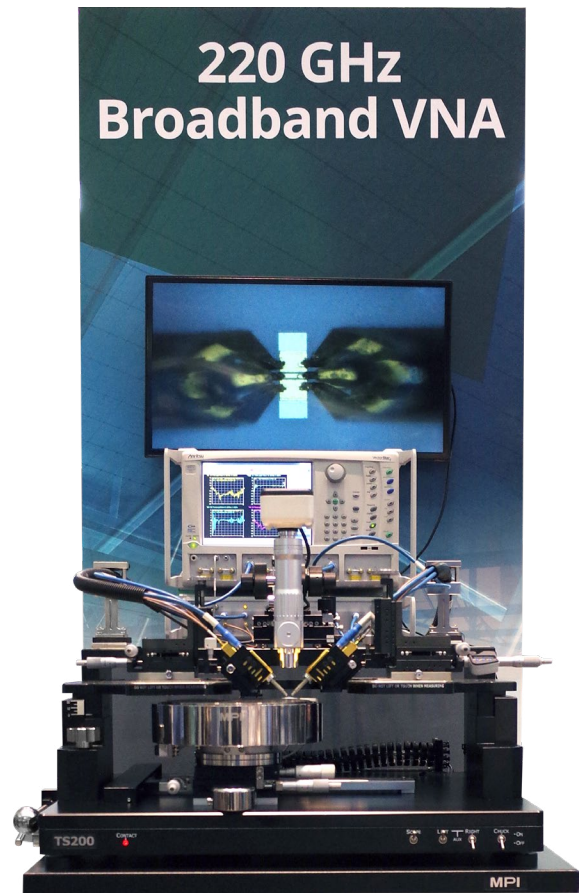
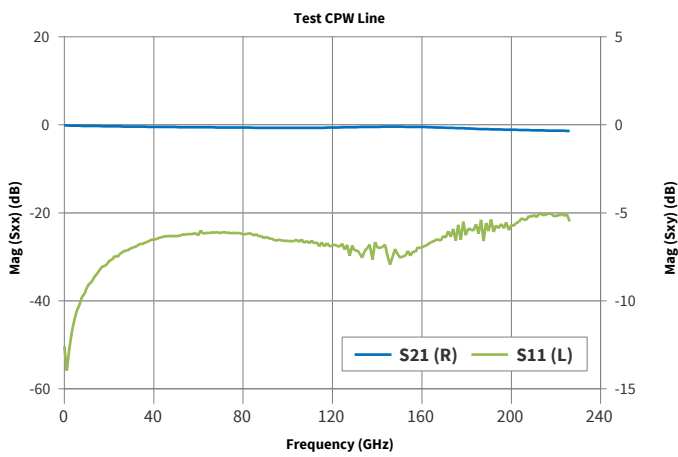
## TYPICAL ELECTRICAL CHARACTERISTICS



## BODY DIMENSIONS



EXAMPLE OF DUT MEASUREMENTS



Direct contact:  
 Asia region: ast-asia@mpi-corporation.com  
 EMEA region: ast-europe@mpi-corporation.com  
 America region: ast-americas@mpi-corporation.com

MPI global presence: for your local support, please find the right contact here:  
[www.mpi-corporation.com/ast/support/local-support-worldwide](http://www.mpi-corporation.com/ast/support/local-support-worldwide)

MPI Global Presence

